



STEPPING STONES

AND CONCRETE ACCESSORIES



Square Stepping Stone

SKU	Description	Quantity	Pallet Deposit
040851	12" x 12" Stepping Stone – Gray	120/Pallet	\$14.00
040854	12" x 12" Stepping Stone – Red	120/Pallet	\$14.00
040857	12" x 12" Stepping Stone – Tan	120/Pallet	\$14.00
040869	18" x 18" Stepping Stone – Gray	40/Pallet	\$14.00
040872	18" x 18" Stepping Stone – Red	40/Pallet	\$14.00



TAN COLOR SHOWN

Round Stepping Stone

SKU	Description	Quantity	Pallet Deposit
040881	12" Stepping Stone – Gray	120/Pallet	\$14.00
040884	12" Stepping Stone – Red	120/Pallet	\$14.00
040893	18" Stepping Stone – Gray	40/Pallet	\$14.00
040896	18" Stepping Stone – Red	40/Pallet	\$14.00



RED COLOR SHOWN

Hexagon Stepping Stone

SKU	Description	Quantity	Pallet Deposit
040909	12" Stepping Stone – Gray	120/Pallet	\$14.00
040912	12" Stepping Stone – Red	120/Pallet	\$14.00



GRAY COLOR SHOWN

Stepping Stone

SKU	Description	Quantity	Pallet Deposit
040933	18" x 24" Stepping Stone – Gray	40/Pallet	\$14.00
040936	18" x 24" Stepping Stone – Red	40/Pallet	\$14.00

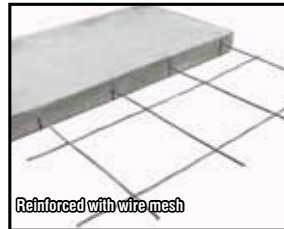
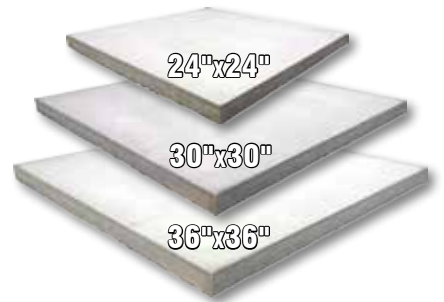


GRAY COLOR SHOWN

Hand Troweled Stepping Stone

SKU	Description	Quantity	Pallet Deposit
042339	24" x 24" Hand Trowel Stepping Stone	20/Pallet	\$14.00
042342	30" x 30" Hand Trowel Stepping Stone	10/Pallet	\$14.00
042345	36" x 36" Hand Trowel Stepping Stone	5/Pallet	\$14.00

- For use in light/pedestrian traffic areas
- Not vehicle traffic grade



Reinforced with wire mesh



Scallop Edging

SKU	Description	Quantity	Pallet Deposit
040703	24" Scallop Edging – Gray	144/Pallet	\$14.00
040706	24" Scallop Edging – Red	144/Pallet	\$14.00

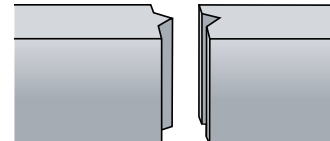
- Ends are notched to keep edging upright and straight



Gray



Red



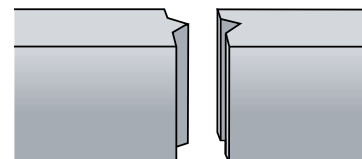
Tree Rings

SKU	Description	Quantity	Pallet Deposit
040790	18" Tree Ring – Gray	50/Pallet	\$14.00
040793	18" Tree Ring – Red	50/Pallet	\$14.00
040803	24" Tree Ring – Gray	120/Pallet	\$14.00
040806	24" Tree Ring – Red	120/Pallet	\$14.00

- 18" Requires 2 pieces to make a complete circle
- 24" Requires 4 pieces to make a complete circle
- Ends are notched to keep edging upright and straight



RED COLOR SHOWN



INTERLOCKING NOTCHES

Concrete Splash Block

SKU	Description	Quantity	Pallet Deposit
042360	24" Splash Block	60 Pcs./Pallet	\$14.00
042363	30" Splash Block	30 Pcs./Pallet	\$14.00

- Channels downspout water away from the house
- Splash block is 11" wide



Umbrella Stand

SKU	Description	Quantity	Pallet Deposit
042366	Umbrella Stand	12 Pcs./Pallet	\$14.00

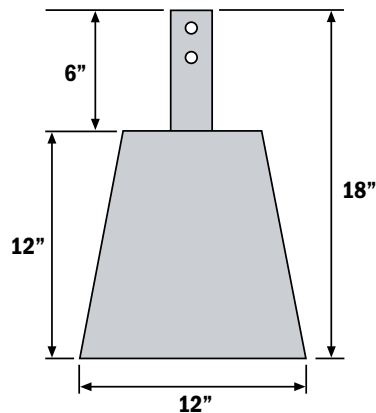
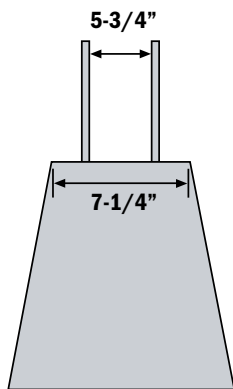
- Heavy 38 lbs. Weight
- Thumb screw included
- Umbrella stand pipe has internal dimensions of 2" x 8"
- Stand will accept umbrellas with poles of up to 2" in diameter



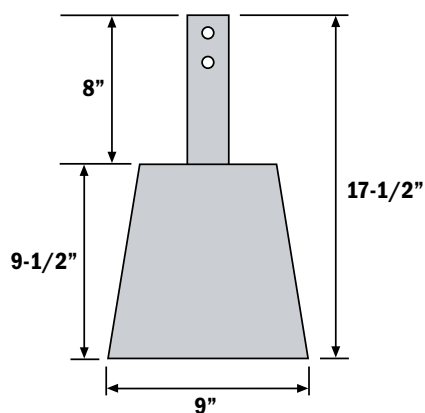
Strap Piers

SKU	Description	Quantity
041142	4" Strap Pier	38 Pcs./Pallet
041148	6" Strap Pier	20 Pcs./Pallet

- Manufactured using a 3000 psi mix
- 4" Strap pier is designed to hold a 4x4
- 6" Strap pier is designed to hold a 6x6
- Strap has nail and bolt holes to attach to a wood post



6" Strap Pier



4" Strap Pier

