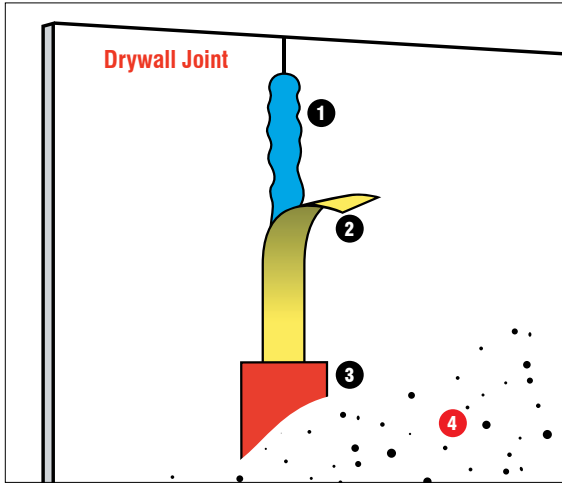




Drywall and Plastering





Drywall Application

1. Cover joint or corner bead with mud coat
2. Embed paper joint tape into the mud.
With fiberglass mesh tape you skip step 1.
3. Cover tape with second mud coat
4. After sanding the joint smooth, cover entire wall with a texture coat



Drywall Tape

SKU	Description	Quantity	Pallet Deposit
020727	Drywall Tape – 500 Ft. Roll	10/Case	None

- Drywall tape is used to cover the joints between drywall panels



Fiberglass Mesh Tape

SKU	Description	Quantity	Pallet Deposit
626714	Fiberglass Mesh Tape – 2" x 300 Ft. Roll	24/Case	None

- Fiberglass tape is used to cover the joints between drywall panels
- Self adhesive – no pre mud required
- Stronger than paper tape



To order
 1-800-325-6851
 www.wswcorp.com

Drywall

All Purpose Joint Compound (Red Dot)

SKU	Description	Quantity	Pallet Deposit
120542	All Purpose Joint Compound – 47 Lbs.	48 Cases/Pallet	None

- Best for taping and first metal covering
- Suitable for all finishing applications
- High bond strength
- Meets or exceeds ASTM C-475

FOR MORE INFORMATION SEE www.westpacmaterials.com/FinishingProducts.asp



Topping Compound (Green Dot)

SKU	Description	Quantity	Pallet Deposit
120554	Topping Compound – 49 Lbs.	48 Cases/Pallet	None

- Ideal for second and finish coats
- Low shrinkage
- Easy sanding
- Meets or exceeds ASTM C-475

FOR MORE INFORMATION SEE www.westpacmaterials.com/FinishingProducts.asp



Taping & Topping Compound (TNT)

SKU	Description	Quantity	Pallet Deposit
120615	Taping & Topping – 46 Lbs.	48 Cases/Pallet	None

- Excellent for all finishing applications
- A true one mud system
- Low shrinkage
- Easy sanding
- Meets or exceeds ASTM C-475

FOR MORE INFORMATION SEE www.westpacmaterials.com/FinishingProducts.asp





Joint Compound

SKU	Description	Quantity	Pallet Deposit
120466	1 Gal. National Joint Compound	4 Gal./Case	None
120478	5 Gal. All Purpose Joint Compound	36 Pails/Pallet	None

- Ideal for tape application, nail covering, and complete joint finishing of gypsum wallboards.
- Meets ASTM C840 and gypsum association GA-214, GA-216
- Ready to use right from the container!



Texture

SKU	Description	Quantity	Pallet Deposit
120590	Lite Line Wall Texture – 40 Lbs.	52/Pallet	None

- For texturing walls and ceilings
- Easy mixing – just add water!

FOR MORE INFORMATION SEE www.westpacmaterials.com/FP_WestpacTexturesWall.asp



Patching Compounds

SKU	Description	Quantity	Pallet Deposit
120601	5 Minute Smooth Set Lite – 18 Lbs.	96/Pallet	None
120602	20 Minute Smooth Set Lite– 18 Lbs.	96/Pallet	None
120608	40 Minute Smooth Set Lite – 18 Lbs.	96/Pallet	None

- Fast setting compound for patching gypsum wallboard
- Smooth finish
- Easy mixing – just add water!

Speedi Patch

SKU	Description	Quantity	Pallet Deposit
120415	Speedi Patch Interior – 25 Lbs.	50/Pallet	\$14.00
120409	Speedi Patch Exterior – 50 Lbs.	50/Pallet	\$14.00

- Ideal for small patch jobs on gypsum wallboard
- Fast setting
- Easy mixing – just add water!



Casting Plaster

SKU	Description	Quantity	Pallet Deposit
120327	20 Min. Casting Plaster – 100 Lbs.	35/Pallet	None

- For plaster molds or repairs
- Sets in 20 minutes
- Easy mixing – just add water!



Easy-Spred

SKU	Description	Quantity	Pallet Deposit
100047	Easy Spred 7 Lbs.-10 pack	10 Bags/Pack	\$14.00
100054	Easy Spred -50 Lbs.	48 Bags/Pallet	\$14.00

When wet, Easy-Spred forms a natural gel lubrication.

This gel helps improve:

- Cement hydration and bond
- Trowel-ability, set time, and early strength gain
- Shrinkage and cracking

Great alternative to lime!

Just one 7 lb. bag of Easy-Spred will do the job of one 50 lb. bag of lime!



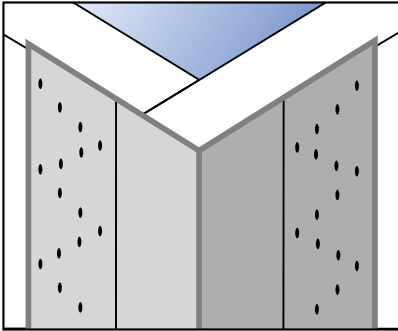


Drywall Cornerbead

SKU	Description	Quantity	Pallet Deposit
080603	1 1/4" Drywall Cornerbead – 8'	48/Case	None
080609	1 1/4" Drywall Cornerbead – 10'	48/Case	None

- Protects drywall corners and provides a clean, professional edge
- Knurled surface provides a gripping surface for joint compound
- Can be applied with either nails or screws

- Provides a clean, square corner
- Outside corners only

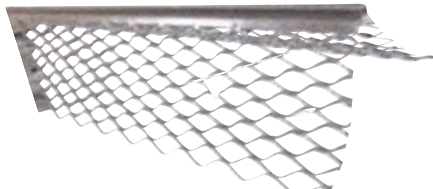
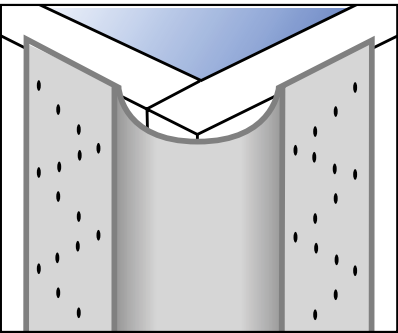


Bullnose Drywall Cornerbead

SKU	Description	Quantity	Pallet Deposit
080615	Bullnose Cornerbead – 8'	50/Case	None
080621	Bullnose Cornerbead – 10'	40/Case	None

- Protects drywall corners and provides a gentle round edge
- Knurled surface provides a gripping surface for joint compound
- Can be applied with either nails or screws

- Provides a clean, round corner
- Outside corners only

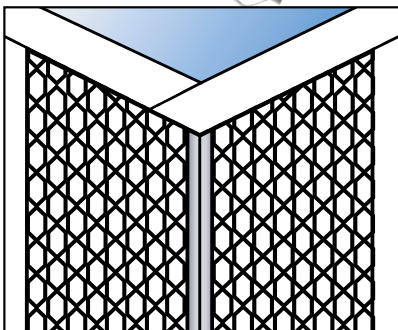


AI Expanded Cornerbead

SKU	Description	Quantity	Pallet Deposit
080406	Expanded Cornerbead – 10'	30/Case	None

- Protects plaster corners and provides a clean, professional edge
- Knurled surface provides a gripping surface for plaster
- Can be applied with either nails or screws

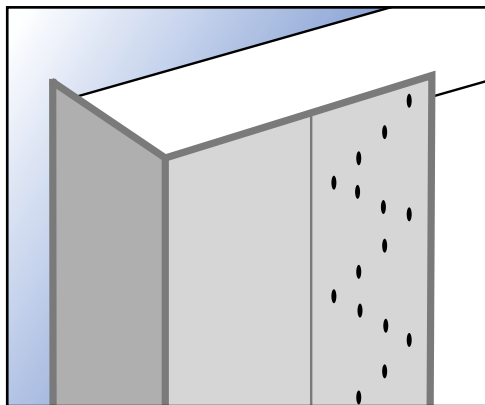
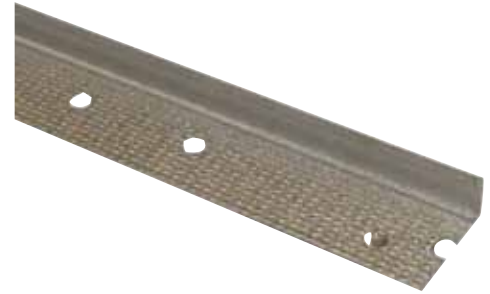
- Provides a clean, square corner
- Outside corners only



Drywall "L" Bead

SKU	Description	Quantity	Pallet Deposit
080636	5/8" L Bead #200B – 10'	50/Case	None

- Provides a clean edge stop around windows and doors
- Knurled surface provides a gripping surface for joint compound
- Can be applied with either nails or screws

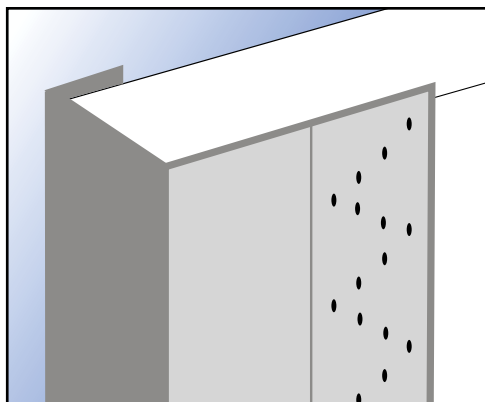


- Provides a clean, square corner
- Inside or outside corners

Drywall "U" Bead

SKU	Description	Quantity	Pallet Deposit
080648	5/8" U Bead #200A – 10'	50/Case	None

- Provides a clean edge stop around wallboard stops
- Knurled surface provides a gripping surface for joint compound
- Can be applied with either nails or screws

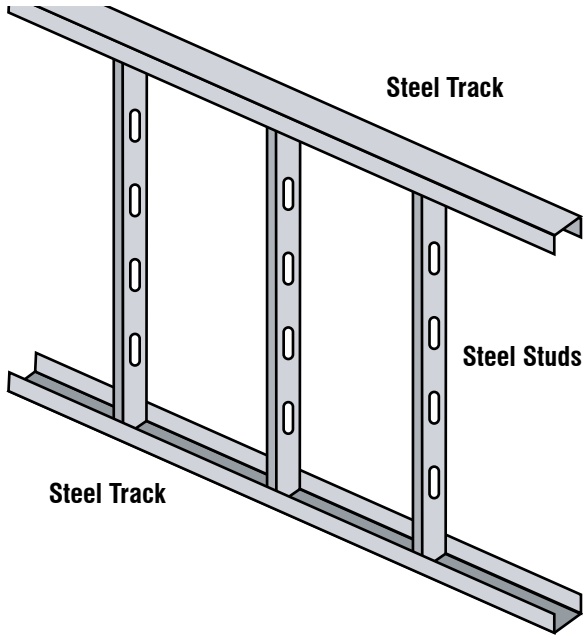


- Provides a clean, square corner
- Outside corners only



Drywall Studs and Tracks

SKU	Description	Bndl. Quantity	Pallet Quantity	Pallet Deposit
081012	25 Ga. Steel Stud 3 5/8" x 10'	10 Pcs./Bndl.	200 Pcs./Pallet	None
081024	25 Ga. Steel Track 3 5/8" x 10'	10 Pcs./Bndl.	200 Pcs./Pallet	None



Wall Angle

SKU	Description	Quantity	Pallet Deposit
081042	25 Ga. Steel Wall Angle 1 1/2" x 1 1/2" x 10'	20 Pcs./Bndl.	None

- Multi-purpose angle
- Used for columns or drywall intersections
- Used by various trades working with steel studs



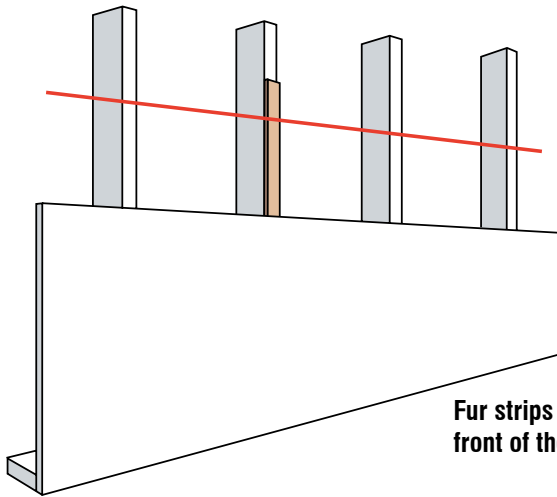
To order
1-800-325-6851
www.wswcorp.com

Metal Trim

Drywall Fur Strips

SKU	Description	Quantity	Pallet Deposit
020899	Drywall Fur Strips – 1.5" x 45"	100/Bndl.	None

- Used to even out wood studs before the drywall is applied
- Easily applied with spray adhesive or staples



Fur strips are used to easily form a level plane across the front of the studs to which the drywall will be attached.

Spray Adhesive

SKU	Description	Quantity	Pallet Deposit
020913	#357 Spray Adhesive	12/Case	None

- Used to attach drywall fur strips to uneven wood studs

FOR MORE INFORMATION SEE <http://covalenceadhesives.com/SearchProductsDetails.aspx?ID=96>



Nail Sizes

Nail length is often referred to as “d” or “penny”. For example a “10-D nail” or a “10 Penny Nail”. Use the following chart for nail length reference.

Size	Inches	Size	Inches	Size	Inches
2-D	1.00"	6-D	2.00"	10-D	3.00"
3-D	1.25"	7-D	2.25"	12-D	3.25"
4-D	1.5"	8-D	2.5"	16-D	3.5"
5-D	1.75"	9-D	2.75"	20-D	4"



Black Coarse Screws

SKU	Description	Quantity	Pallet Deposit
062884	1 ¹ / ₄ " Black Coarse Screws – 8000 Pcs.	48 /Pallet	None
062893	1 ⁵ / ₈ " Black Coarse Screws – 5000 Pcs.	48/Pallet	None
062906	2" Black Coarse Screws – 3500 Pcs.	48 /Pallet	None
062924	2 ¹ / ₂ " Black Coarse Screws – 2500 Pcs.	48/Pallet	None
062932	3" Black Coarse Screws – 2000 Pcs.	48/Pallet	None

- For attaching gypsum board or drywall to wood studs
- Attaching fixtures to drywall



Drywall Nails

SKU	Description	Quantity	Pallet Deposit
061339	1 ³ / ₈ " Drywall Nails – 50 Lb. Box	48 /Pallet	None
061348	1 ⁵ / ₈ " Drywall Nails – 50 Lb. Box	48/Pallet	None

- Specially designed for attaching drywall to wood framing
- Cupped head designed to counter sink for easy concealment
- Phosphate coated

For a complete list of all nails and screws,
see the fasteners and framing section.